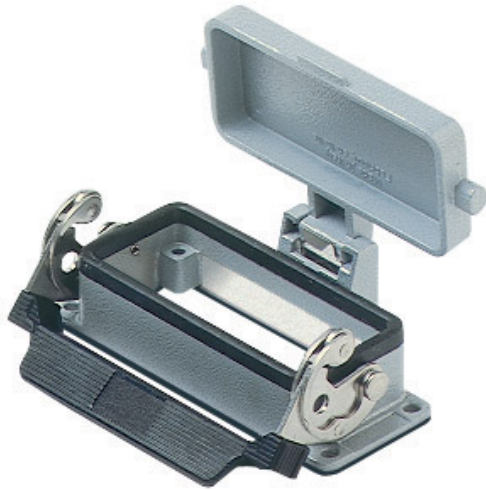


Part number

# CMI 06 LS



## Brief description:

bulkhead mounting housings with single lever, size "77.27" insulated 830V version, metal cover, insulated 830V version, IP65

Product description	
Version	insulated 830V version
Series	Bulkhead mounting housings with 1 lever
Product type	with 1 lever
Variant	metal cover
Family	830V enclosures for CME inserts
Size	size "77.27" insulated 830V version
Technical data	
Material	metal
IP degree of protection	IP65
Further technical details	
Weight	193,00 g

Approvals / Standards	
Quality mark	UL (type:4/4X/12), CE, EAC
Conformity	CQC, CE
General ordering information	
EAN13 code	8015747030687
Tariff number	85369095
Packaging Information	
Packaging length	210,00 mm
Packaging height	155,00 mm
Packaging width	350,00 mm
Packaging weight	3,86 kg
Packaging volume	11,39 dm <sup>3</sup>
Packaging description	Carton box
Packaging quantity	20 Pcs
Packaging EAN code	8015747234177
Sub-packaging weight	0,97 kg
Sub-packaging description	Plastic packaging
Sub-packaging quantity	5 Pcs
Sub-packaging EAN barcode	8015747030694

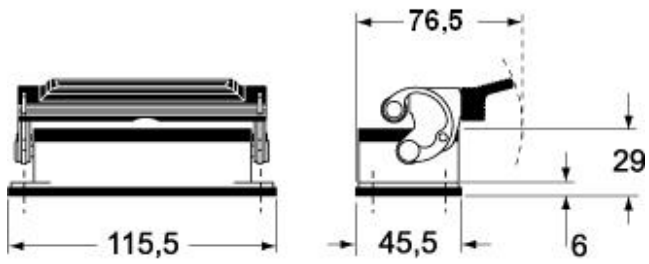
Part number

# CMI 06 LS

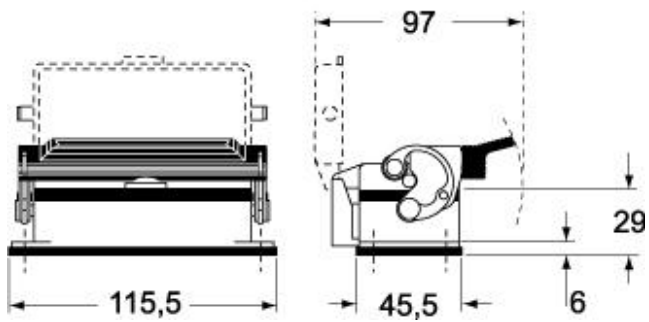


Catalogue drawings

## CMI L



## CMI LS



Catalogue drawings

